

SPECIFICATIONS

DDR3 Connector

Mechanical

Contact Retention Force: 0.30Kg (0.66Lbs) min. per Contact
Durability: 25 Cycles
Insertion Force: 6.8 Kg (15Lbs)

ATH40 Series

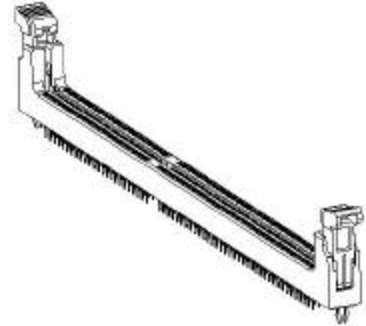
Vertical, T/H Type
1.00mm [.039"] Pitch
240 Pos.

Electrical

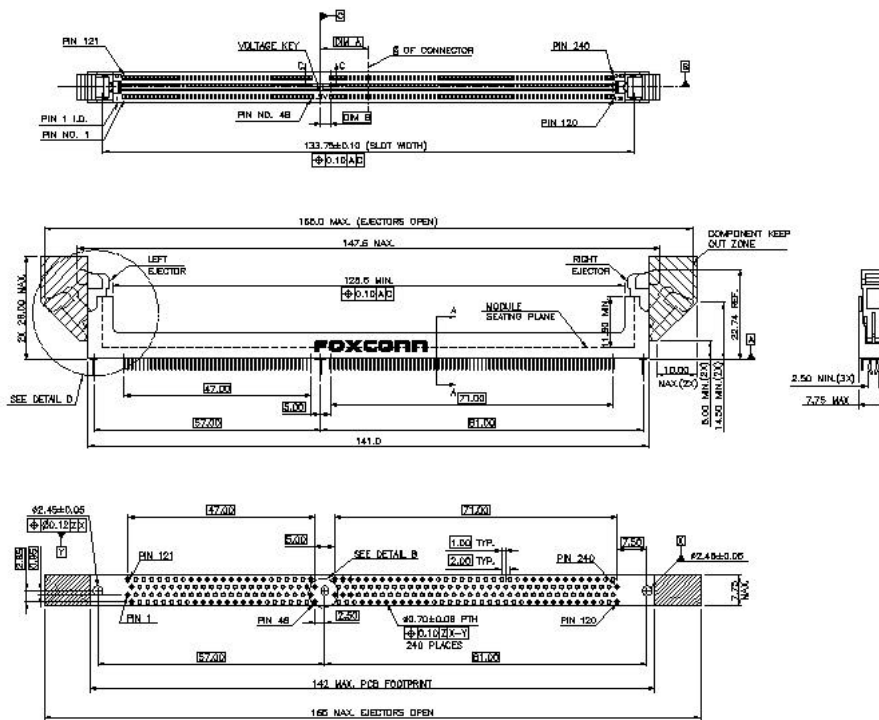
Insulation Resistance: 1000MW min. at 500V DC
Dielectric Withstanding Voltage: 500V DC at Sea Level
Low Level Contact Resistance: 10mW max. initial, Change not greater than 10mW Max.

Physical

Housing: Thermoplastic, UL 94V-0 rated in Black Color
Contact: Copper alloy
Ejector: Thermoplastic, UL 94V-0 rated in Ivory or Natural Color
Metal Hold Down: Copper alloy
Operating Temperature: 0 to +85



DRAWING



ORDERING INFORMATION

PRODUCT NO.: A TH 40 * * - * * * - * * *

Memory Socket

DDR III DIMM
Vertical 1.00 mm Pitch

NO. OF POS.:
40=240 POS.

TAIL LENGTH:
0=3.18 MM (.125")
1=2.67 MM (.105")

Plating Type:
4F=Lead Free
RoHS Compliant

Extension Code

Contact Area Gold Plating:
1=GOLD FLASH
3=30 u" GOLD
7=15 u" GOLD

PART NUMBER	NO. OF POSITION	VOLTAGE MARKING	DIM. A	DIM. B	DIM. C CONTACT TAIL	DIM. D METAL BOARD LOCK
ATH401*-H9B-**	240	1.5V	12.00	2.50	2.67 ±0.25 FOR 1.57 (0.062") PCB THICKNESS	3.75 ±0.25 FOR 1.57 (0.062") PCB THICKNESS
ATH400*-H9B-**	240	1.5V	12.00	2.50	3.18 ±0.25 FOR 2.36 (0.093") PCB THICKNESS	4.57 ±0.25 FOR 2.36 (0.093") PCB THICKNESS